

Lens Type 3 LED module

AB3

Model Name	AB3
Color Temperature	BLUE
Product Size	65(W)x10(H)x15(D)mm
Applications	Channel Sign / Indoor Indirect Lighting

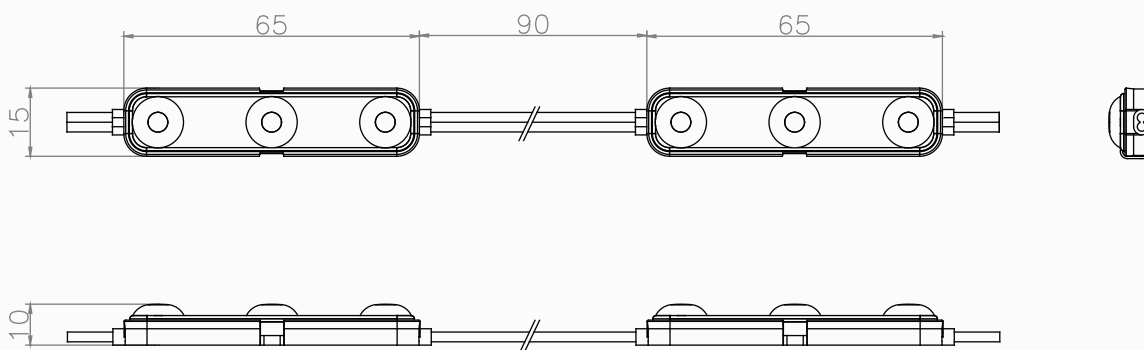


Product Description

The AB3 product is a blue (BLUE) 3-chip module equipped with a 160° wide-angle lens, which prevents light from concentrating in the center, minimizing shadowed areas at the edges of signs while also reducing glare. This product's wide light diffusion allows for achieving the desired brightness with fewer units, and it is a non-polar product that is easy to wire. It can be installed in low-profile channels with heights of 80 - 120mm at intervals of 50 - 80mm.

By emitting blue (BLUE) light, the AB3 product can add an accent color to signs that might otherwise look plain. Each module comes with double-sided tape on the back, making installation simple and convenient.

Product Drawing



Electrical Characteristics

Model Name	AB3
Input Voltage	DC 12V
Electrical Polarity	Non-Polarity
Current Consumption	60mA (per Module)
Power Consumption	0.72W
Power Factor	1 PF

Optical Characteristics

Model Name	AB3
LED Package	3528 X 3 EA
Wavelength	465 nm
Represented color	BLUE
Total luminous flux	8.64 lm
Luminous efficacy	12 lm/W

Beam Angle

Model Name	AB3
Beam Angle	160 °

Module Information

LED Q'ty per module	3EA
Module Q'ty per package	100 EA
Minimum operating module Q'ty	1 EA

Dimensions and Weight

Model Name	AB3
Length	65mm
Depth	15mm
Height	10mm
Product Weight	7.0g
Wire Length	90mm

Operating Temperature

Operating Temperature	-20~40°C
-----------------------	----------

Product Material

Base	ABS (Acrylonitrile Butadiene Styrene)
Cover	ABS (Acrylonitrile Butadiene Styrene)

DIMMING

Dimming Capability	Applicable When Using a Dimmer
Dimming Range	0~100%

Certification and IP Rating

Certification	NA
IP Rating	NA

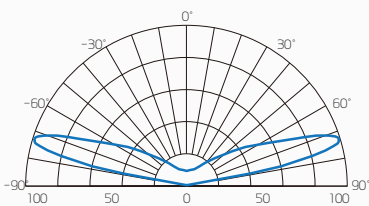
Lifespan

Lifespan	30,000 hrs
----------	------------

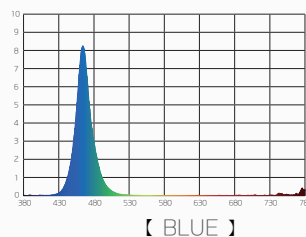
Packaging Information

Item	Material	Packaging Quantity	Specification
Zip Bag	Clear Plastic	100 EA	230(W) X 380(H)mm
Packaging Box	DW - Corrugated	2,000 EA	710(W) x 355(D) x 295(H)mm

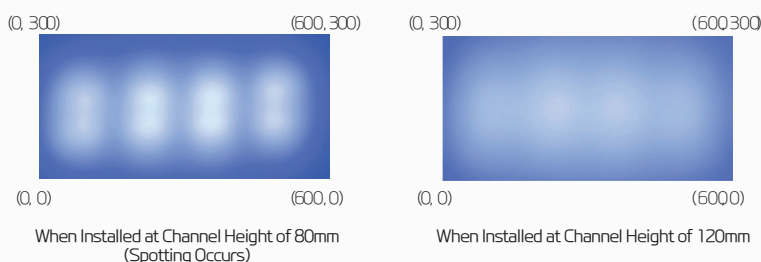
Radiation Characteristic (160 deg)



Absolute Spectrum



Light Distribution Based on Sign Height



- Area : 600mm x 300mm
- Quantity : 8Pieces (Width 4 x Height 2)
- Pitch Between Modules : 158mm